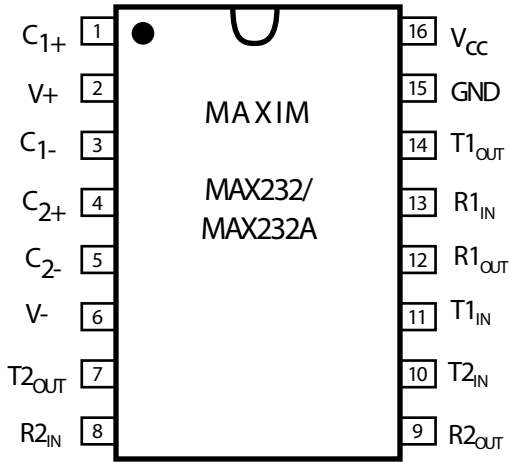


Copyright © 2002 Athisarn Wayuparb (info@perfect4me.com)

This document resides at <http://www.perfect4me.com/products/MyNikon>

This document is copyrighted. The document and information contained herein may be used freely, however do not distribute modified copies of this document. If you intend on mirroring this document on another web site, please mail the authors so we can advise you of updates.

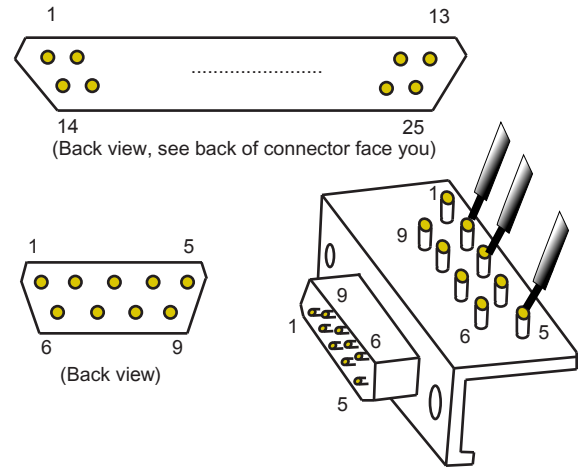
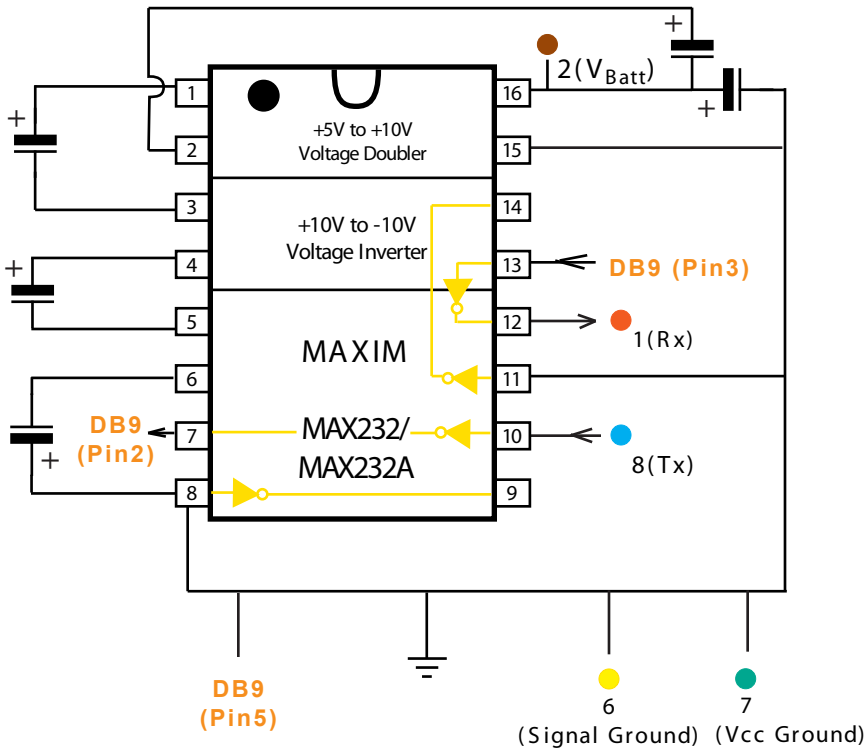
If you have updates to this document, please mail the authors so changes may be distributed to mirror sites.



MAX232

C1-C5 1 uF for MAX232
0.1 uF for MAX232A

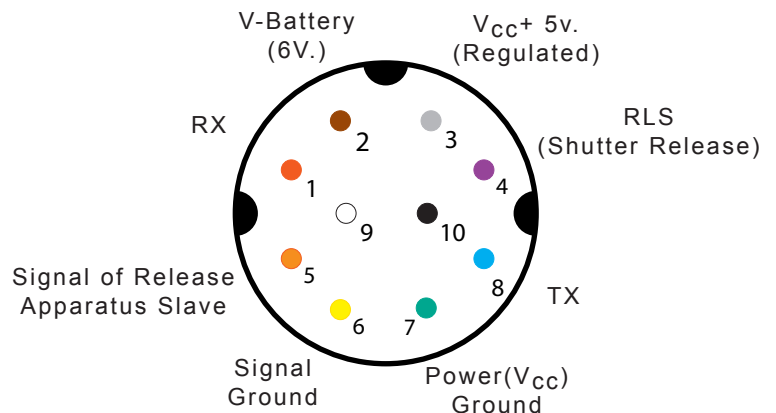
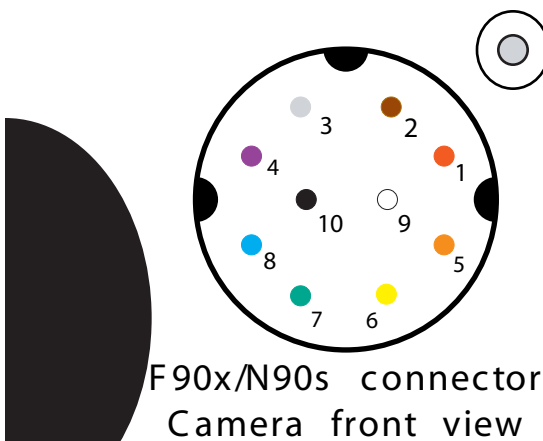
V_{CC} +5v to +10 v



Name Pin description	25pin male	9pin male
Tx	2	3
Rx	3	2
RTS	4	7
CTS	5	8
DTR	20	4
DSR	6	6
RI	22	9
DCD	8	1
GND	7	5

Pins used by PC serial ports

kon



F90x/N90s/F100/F5 connector
Connector Front View

(Look at the connector, connector pin face you)